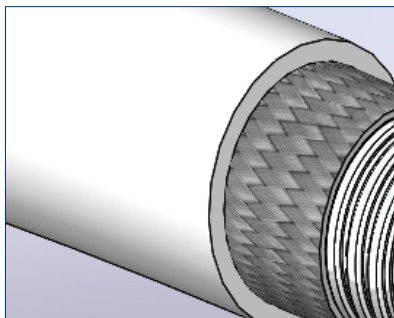




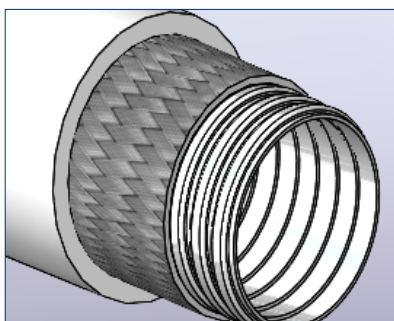
# Rubber Fab's New Supreme-Flex Max™



Standard white silicone cover provides clean look for sanitary conditions - contact factory to discuss additional cover options.



Stainless steel wire braid provides strength and stability.

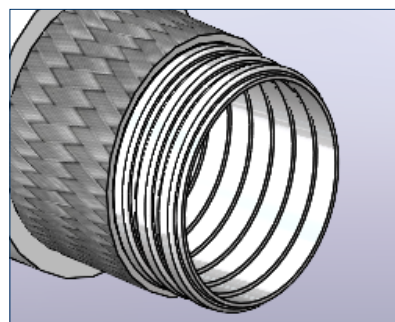


PTFE liner tube consists of external convolutions for superior flexibility allowing the bore to remain smooth for sanitary requirements - available in natural white - contact factory for black anti-static tube requirements.

## SPECIFICATIONS:

- Industry compliance:
  - USP CLASS VI
  - FDA 21 CFR 177.1550 OF CORE MATERIAL
  - EU 10/2011
  - REGULATION 1935/2004
- Full Traceability
- Suitable for sterilization by autoclave and gamma irradiation
- Max Operating Temperature:
  - Min -150°F/-73°C
  - Max 500°F/260°C (application dependent)
- Vacuum rating: 0.9 bar up to 400°F/204°C

Size	Part #	Min Bend Radius	Max Working Pressure (@ 68F/20C)	Notes
1/4"	04RFSFM	0.75" / 19mm	1120 PSI / 80 Bar	
3/8"	06RFSFM	0.75" / 19mm	1190 PSI / 85 Bar	
1/2"	08RFSFM	2.50" / 60mm	1050 PSI / 75 Bar	
3/4"	12RFSFM	3.00" / 75mm	910 PSI / 65 Bar	
1"	16RFSFM	4.33" / 110mm	770 PSI / 55 Bar	
1-1/2"	24RFSFM	7.00" / 180mm	630 PSI / 45 Bar	CF
2"	32RFSFM	11.8" / 300mm	490 PSI / 35 Bar	CF



Smooth bore for uninterrupted flow helps eliminate foreign material buildup and bacterial contamination – allowing easy cleaning.