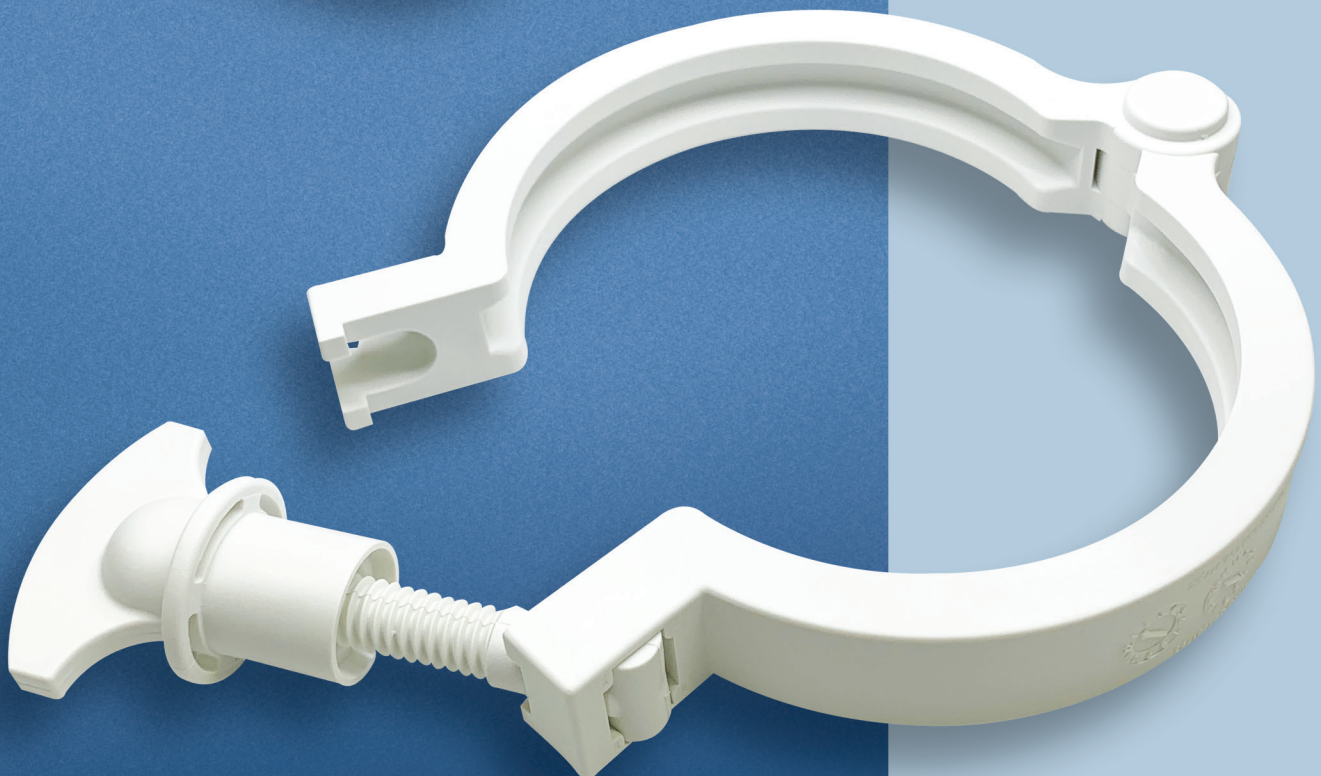
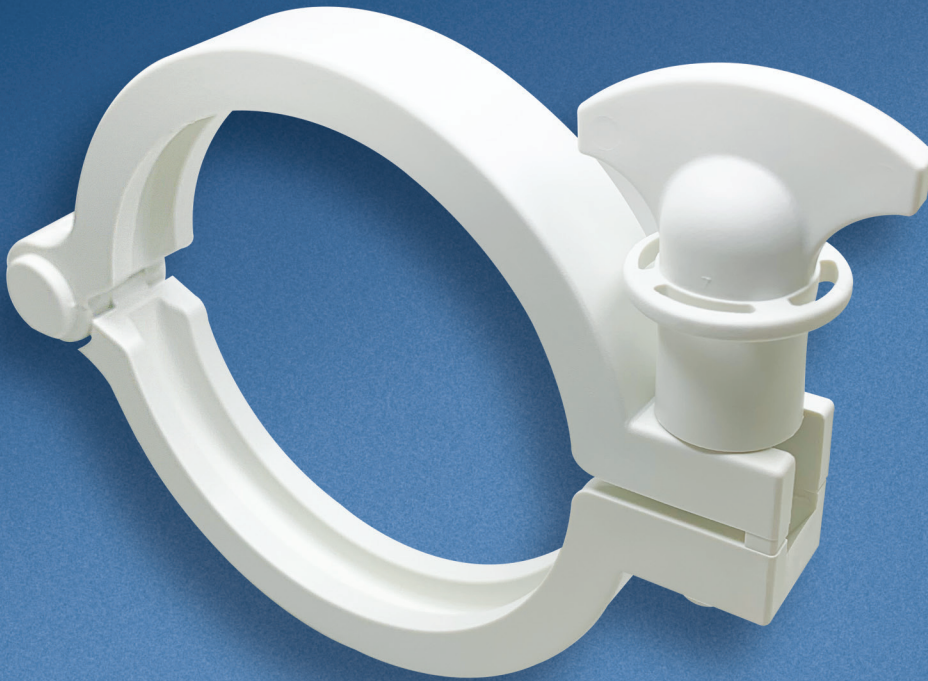


Rubber Fab's

# NON-METALLIC SANITARY CLAMP



**Rubber Fab**

a Garlock Hygienic Technologies company

## Sanitary Ferrule Clamp

- Constructed of Non-Metallic fiberglass reinforced nylon.
- Accepts sanitary ferrules according to BS 4825, ISO 2852 and Tri-Clover® Standards.
- Will not cause distortion in non-metallic ferrules, as will stainless steel clamps during high operating temperatures and sterilization. Less weight than stainless steel clamps.
- Use where reduction of weight and reduced thermal conductivity transfer is of importance.
- Use on non-metallic to non-metallic, non-metallic to metallic and metallic to metallic sanitary mechanical joints.

## Tests and Operating Capability

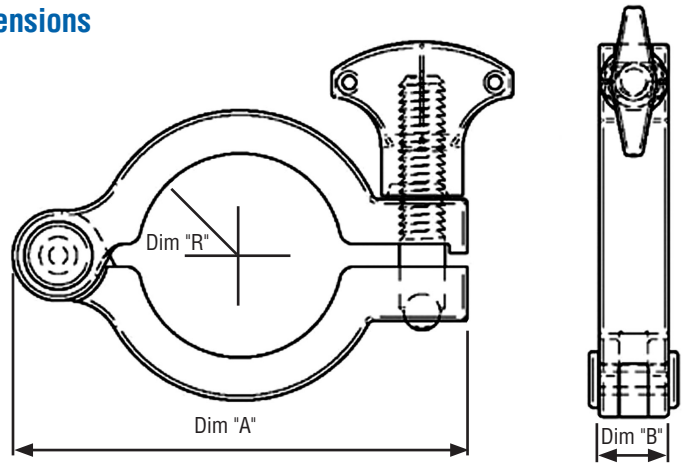
- For use in GMP Manufacturing.
- Gamma stable to 25-40 kGy.
- Maximum irradiation dosage is 6 mega rads, this dosage is cumulative. Expect to see discoloration and the material to become brittle.
- Autoclave Sterilize to 275°F (135°C) After autoclave clamp may need to be retorqued
- Maximum recommended installation torque specification is 2nm.
- Recommended working pressure, 150 p.s.i. @ 70°F.
- The maximum recommended working temperature is 200°F but the material is stable from -40°F to 200°F.
- PTFE gaskets are not to be used in conjunction with the non-metallic clamp. Acceptable elastomers are: Tuf-Flex®, Silicone, FKM, Fluoroelastomer, EPDM and Buna.

## Cautions

- Maximum irradiation dosage is 6 mega rads, this dosage is cumulative. Expect to see discoloration and the material to become brittle.
- Do not over torque. Maximum recommended torque is 2nm.
- After autoclaving, clamps may need to be re-torqued.
- PTFE gaskets are not to be used in conjunction with the non-metallic clamp. Acceptable elastomers are: Tuf-Flex®, Silicone, FKM, Fluoroelastomer, EPDM and Buna.

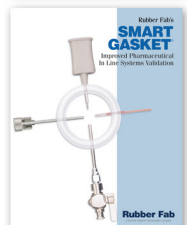
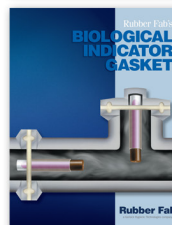
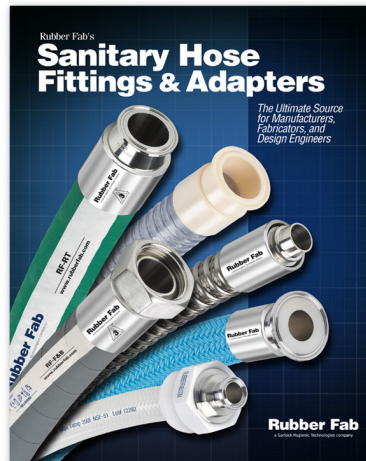
© Tuf-Flex is a registered trademark of Rubber Fab.

## Dimensions



SIZE	PART NUMBER	A DIM.	B DIM.	R DIM.	MAX P.S.I.
1/2" & 3/4"	13MHHM-NGW-050/075	2.17	.749	0.394	150
1" & 1-1/2"	13MHHM-NGW-150	3.94	.749	0.886	150
2"	13MHHM-NGW-200	4.64	.749	1.260	150
2-1/2"	13MHHM-NGW-250	5.20	.749	1.497	150
3"	13MHHM-NGW-300	5.75	.749	1.773	150
4"	13MHHM-NGW-400	6.66	.749	2.250	150
6"	13MHHM-NGW-600	8.81	.962	3.135	150
8"	13MHHM-NGW-800	11.14	.962	4.316	150

For additional information or product literature, contact Rubber Fab at 973-579-2959 or visit us at [www.rubberfab.com](http://www.rubberfab.com).



Rubber Fab is a member of:



Distributed by:

# Rubber Fab

a Garlock Hygienic Technologies company  
 26 Brookfield Drive • Sparta, NJ 07871  
 phone: 973-579-2959 • fax: 973-579-7275  
 email: [sales@rubberfab.com](mailto:sales@rubberfab.com)

[www.rubberfab.com](http://www.rubberfab.com)